

# KUPU 10

## PHOTOELECTRIC SMOKE ALARM

**10** 10 YEAR BATTERY  
NO BATTERY CHANGES EVER



**KUPU 10 BY HARRI KOSKINEN** is a battery powered smoke alarm for domestic use. It comes with an integrated, non-replaceable Lithium Metal battery that last for 10 years, which is the maximum recommended lifetime for any smoke detector. Automatic power activation upon installation, no user dependent battery replacement during the lifetime of the product and a 10 year end of life indicator secure that users are enjoying highest effective fire safety at home for 10 years.

Key features also include easier to set mounting plate, automatic self testing, entire front surface as a test button and additional 3M adhesive tape for easier and faster installation.

KUPU smoke alarm utilizes photoelectric detection technology to sense smoke from different types of fires. Unit's photoelectric (optical) detection method works by sensing infrared rays scattered by visible smoke particles. The smoke alarm is equipped with a self diagnostic and checking feature to ensure correct operation through its service life of 10 years.

The device operates so that when the smoke is present, device will release a loud and continuous warning siren to alert residents.

To avoid unintentional alarms, device will run assuring checks by sampling the air several times.

However if false alarms occur, the smoke alarm is equipped with a Silence-function, which silences the alarm temporarily for eight minutes. Smoke alarm will give a warning signal despite of the silence function if heavy smoke occurs.

KUPU 10 smoke alarm comes with integrated CR17450 Lithium Manganese Dioxide battery and it is tested to secure 10 years of operation lifetime. When batteries come to the end of life, the smoke alarm will release short beeps to warn low batteries. Low battery warning will continue for at least one month before the batteries drain completely.

### FEATURES & SPECIFICATIONS

**10 years non-replaceable Lithium Metal battery** for highest effective fire safety at home.

**Automatic power activation** upon installation.

**Whole surface works as a test button** for more convenient regular testing of smoke alarm's correct functioning.

**Alternative 3M adhesive ceiling install option** in addition to the screw installation option. Super strong 3M VHB® provides easier and reliable installation for even ceiling surfaces.

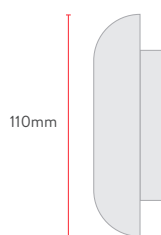
**Silence function** to silence false alarms and temporarily desensitize the smoke alarm.

**Self-diagnostics** tests condition of smoke sensing parts and circuitry.

**Battery status monitor** with 10 years end of life indicator.



110mm



41.4mm

<b>Sensing Element</b>	Photoelectric
<b>Operating environment</b>	Domestic
<b>Operating voltage</b>	3V
<b>Current consumption</b>	15mA operational
<b>Sound volume</b>	85dB at a distance of 3m
<b>Operating temperature</b>	0°C – 45 °C
<b>Maximum humidity</b>	90%
<b>Holding temperature of 3M fixing tape</b>	35 °C – 93 °C
<b>Battery</b>	1x CR17450 Lithium Manganese Dioxide battery (non-replaceable)
<b>Weight</b>	137g

## AVAILABLE MODELS



**J4A-00**  
KUPU 10 WHITE  
EAN 6 430038 437853  
TARIC 8531103000



**J4A-19**  
KUPU 10 DARK GREY  
EAN 6 430038 437860  
TARIC 8531103000



**J4A-22**  
KUPU 10 YELLOW  
EAN 6 430038 437891  
TARIC 8531103000



**J4A-20**  
KUPU 10 TURQUOISE  
EAN 6 430038 437877  
TARIC 8531103000



**J4A-21**  
KUPU 10 LIGHT BROWN  
EAN 6 430038 437884  
TARIC 8531103000

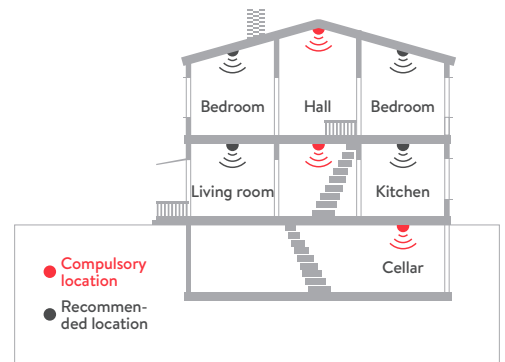


**J4B-11**  
KUPU 10 CHROME (NOT FABRIC)  
EAN 6 430038 437907  
TARIC 8531103000

**INSTALLATION** The smoke alarm can be installed in two different ways: **A)** fast installation method with included two-sided 3M tape. **B)** by installing the smoke alarm with screws (included). Fast installation method will take approximately 30 seconds. Further installation instructions are provided with the manual which is included in the package.

**TESTING & MAINTENANCE** The smoke alarm comes with an internal self-test function. Additionally, the alarm can be and should be regularly tested by the user on a monthly basis. Testing is easy and will provide immediate feedback. Smoke alarm should be cleaned by vacuum cleaning at least once per year for maintenance.

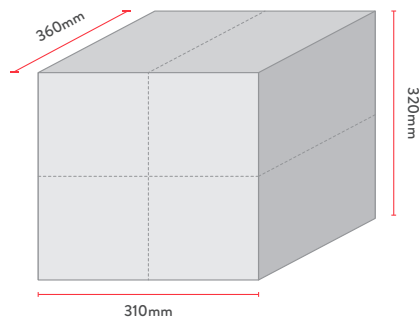
**WARNINGS & CAUTIONS** This smoke alarm won't detect fire from areas where the smoke cannot reach the alarm.



## PACKAGING

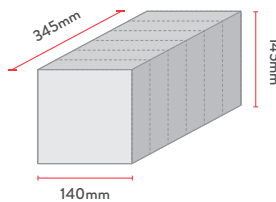
### Set of 24

Weight: 5520g  
Quantity of Units: 24  
Volume: 0.039 m<sup>3</sup>



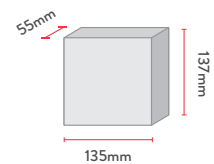
### Set of 6

Weight: 1380g  
Quantity of Units: 6



### Product packaging

Weight: 230g  
Quantity of Units: 1



## AVAILABLE MANUAL LANGUAGES

English	Finnish
French	
German	
Dutch	
Danish	
Norwegian	
Swedish	

## MANUFACTURER



**Jalo Helsinki Oy**  
PL 131, 00181, Helsinki, Finland  
[www.jalohelsinki.fi](http://www.jalohelsinki.fi)  
[support@jalohelsinki.fi](mailto:support@jalohelsinki.fi)  
[www.facebook.com/jalohelsinki](https://www.facebook.com/jalohelsinki)



1488-CPR-0586/W

